



Series 250 Models 61 and 62

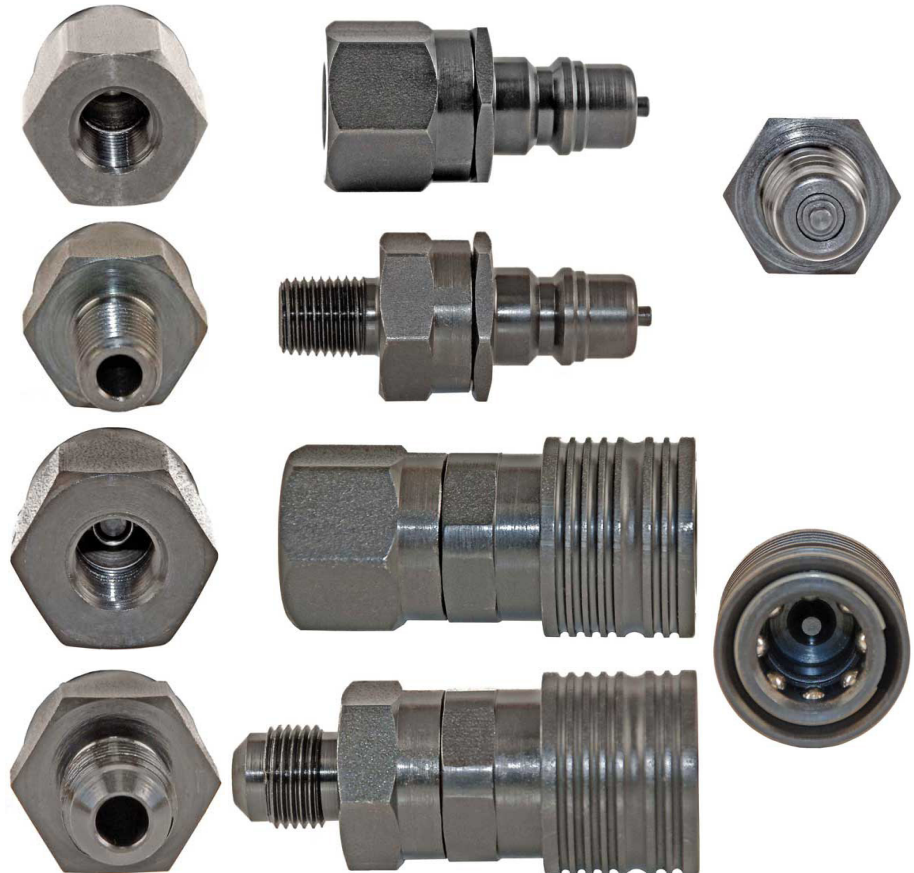
Two-Way Shutoff Valved Nipples and Couplers

FEATURES

- Leak-Free, Positive Locking
- Quick Connect/ Disconnect
- Valved Shutoff
- Adaptability
- Long Life
- Repairable, Saves Cost
- Typical 0.7 Cv

APPLICATIONS

- Refrigerants
- Vacuum/Air
- Oil
- Water
- Mass Spectrometer Applications
- Helium
- Nitrogen



These tough, lightweight PCU Couplers and Nipples utilize heat-treated parts for interchangeability and long life. They provide a large unrestricted flow rate for a variety of production uses, while minimizing process material loss during coupling and uncoupling.

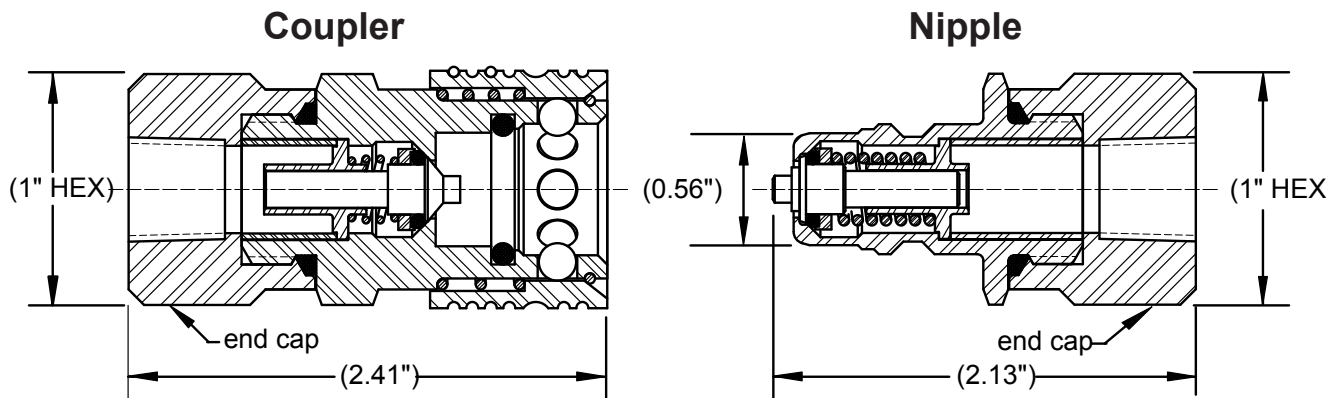
An eight (8) ball detent lock provides instant positive coupling. Simply pull back the grooved locking ring on the Coupler, slide the Coupler over the Nipple and push together until the lock ring snaps to it's "lock position".

Because of the unique design of the Series 250 Couplers and Nipple assemblies, they are able to be built using inexpensive O-ring seals which provide positive leak-tight shutoff. They will hold pressure from vacuum to 1000 psig.

The standard Series 250 Coupler and Nipple assembly can be built with a variety of seal compounds to satisfy your application. Neoprene compound is generally used for R-22, R404a, R410a and compressed air. Buna-N is generally used for HFC-134a with lubricants and R600a. Other applications, which require oils/lubricants, please contact our Order Department at (1-937-299-5594) for help in selecting the correct compound for your particular application.

The Series 250 Coupler and Nipples complement our Series 50, 500, 91, and 93 Tube Quick Connect Couplers, (TQC) to permit unrestricted flow.

Series 250 Models 61 & 62 Two-Way Shutoff Valved Nipples and Couplers



Part Number

<u>Model No.</u>	<u>End Cap Size & Style</u>	<u>O-Ring Compounds</u>
61 = Nipple	1 1 = 1/8 NPT, female	1 = Neoprene
62 = Coupler	1 3 = 1/8 NPT, male	2 = Buna-n (Nitrile)
	2 1 = 1/4 NPT, female	3 = Fluorocarbon
	2 2 = 1/4 SAE, flare, male	5 = For use with R410a refrigerant
	2 3 = 1/4 NPT, male	6 = EPDM
	3 1 = 3/8 NPT, female	7 = For use with HFC-134a refrigerant
	3 2 = 3/8 SAE, flare, male	8 = HFO-1234yf Refrigerant
	3 3 = 3/8 NPT, male	

SERVICE BULLETIN

Service Bulletin SB250-61_62 contains general description, spare parts list, and maintenance information.

Standard Stock Units: 61211, 61217, 61218, 62211, 62217, 62321



Production Control Units, Inc.

2280 West Dorothy Lane, Dayton, Ohio 45439-1892 Phone (937) 299-5594 FAX: (937) 299-4843
©Production Control Units, Inc. U.S.A. Web: www.pcuinc.com