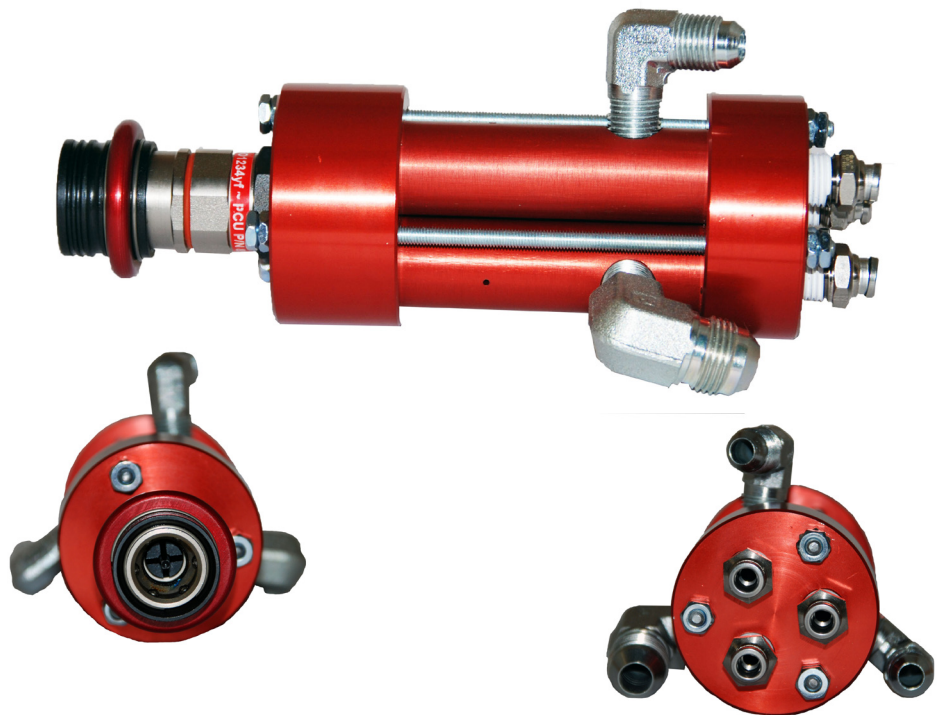




## Series 130 HFO-1234yf Evacuation & Refrigerant Charging Tool With Manual Coupler

### FEATURES

- Minimum refrigerant loss
- Manual connection force
- Manual operation, upon connection to fitting
- High vacuum and refrigerant and oil flow rates
- Air operated poppet valves
- Lightweight
- Separate Refrigerant and oil vacuum connections



Reduce labor content and minimize emission of refrigerant to the atmosphere!

The Series 130 Charging Tool is the interface adapter for a refrigerant/oil charging system. It is designed for direct connection to quick-connect HFO-1234yf A/C high-side process fittings for evacuation and refrigerant/oil charging, with de minimis refrigerant loss to atmosphere.

Tool valve operation is controlled automatically after the operator manually clamps BalLoc coupler on the process fitting and starts cycle. Charging machine cycle includes evaluation, vacuum check, and refrigerant charging. After cycle completion, the operator will remove BalLoc coupler by pulling on sleeve to release BalLoc clamping.

The manual clamping mechanism used is the time proven BalLoc method. The eight hardened steel balls

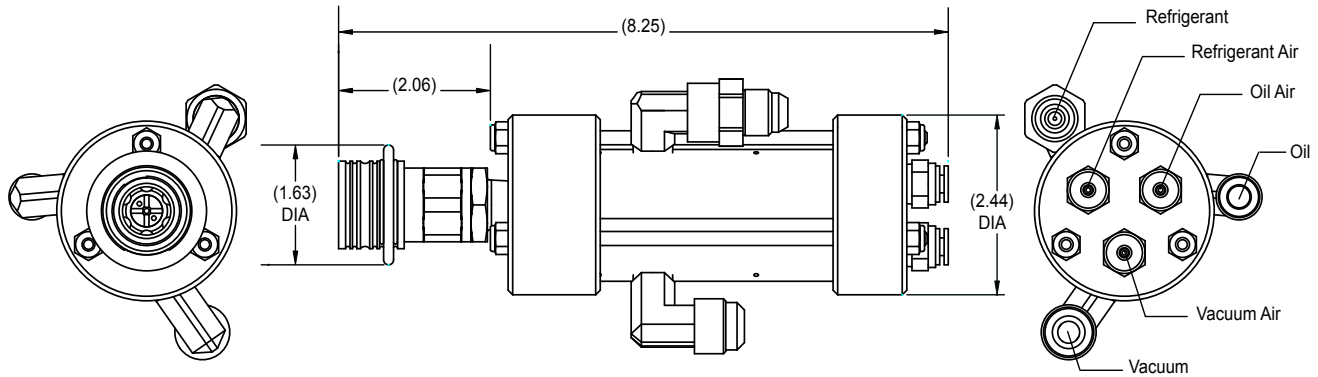
which are constrained in the charge gate body are secured onto the ball groove taper on the process fitting by the locking sleeve. Securing the balls on the taper assures positive force on the nose seal.

The Series 130 Charging Tool is designed to operate with Mass Flowmeter Refrigerant Charging System. Tools with automatic clamping are available. Please contact PCU for further information.

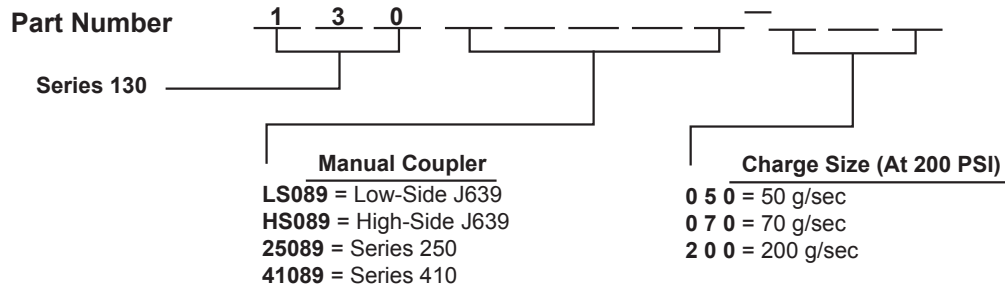
The tool contains three separate fluid circuits, controlled by air pilot pressure, which may be used for vacuum, refrigerant, salvage, oil, or any other fluid.

Save money with the PCU Series 130 Charging Tool. Contact our Order Department at (1-937-299-5594) with your application and equipment specifications.

# Series 130 HFO-1234yf Evacuation & Refrigerant Charging Tool with Manual Coupler



\* For other configurations and multiple poppet valves, please contact PCU Engineering for dimensions and availability.



## TECHNICAL SPECIFICATIONS:

Weight . . . . . 2.4 lbs (1.09 kg)  
 Vacuum range . . . . . 0–760 TORR (0–760 mmHg)  
 Refrigerant . . . . . HFO-1234yf  
     Opens with pressure air @ 70 psig  
 Oil . . . . . Polyolester or PAG  
     Opens with pressure air @ 70 psig  
 Standard Charge Rate . . . . . 50 g/s  
 Max Refrigerant Pressure . . . . . 200 psig @ 70 psi air  
     . . . . . 300 psig @ 80 psi air  
     . . . . . 400 psig @ 90 psi air  
     . . . . . 500 psig @ 100 psi air  
 Vacuum port fitting . . . . . 1/2" JIC flare  
 Refrigerant . . . . . 3/8" JIC flare  
 Oil Port Fitting . . . . . 3/8" SAE flare  
 Air pilots . . . . . (Vacuum, Refrigerant, Oil)

Air supply pressure . . . . . 70 PSIG (4.9 kg/cm<sup>2</sup>)  
 Air port fittings . . . . . 1/4" dia. one touch connectors  
 Tool Valve Block Flow Capacity (Refrig., Vacuum, Oil) . . . . .  
     . . . . . 0.9cv (Typical)  
 Process fitting compatibility . . . . . SAE J639  
 Process fitting nose seal . . . . . O-Ring  
 Process fitting clamp system . . . . . PCU BalLoc  
 Oil compatibility . . . . . Polyolester or PAG

### Manual Coupler P/N

186 = 89VTLS311  
 187 = 89VTHS311  
 050 = 62VT338FL  
 041 = 67VT338



## Production Control Units, Inc.

2280 West Dorothy Lane, Dayton, Ohio 45439-1892 Phone (937) 299-5594 FAX: (937) 299-4843  
 ©Production Control Units, Inc. U.S.A. Web: www.pcuinc.com