



## FEATURES

- Leak-Free, Positive Locking
- Quick Connect/ Disconnect
- Adaptability
- Long Life
- Repairable, Saves Cost
- Typical 0.24 Cv

## APPLICATIONS

- Refrigerants
- Vacuum/Air
- Oil
- Water
- Mass Spectrometer Applications
- Helium
- Nitrogen

# 1/4" Schrader Couplers Model 88



**PN #88222**



**PN #88612**

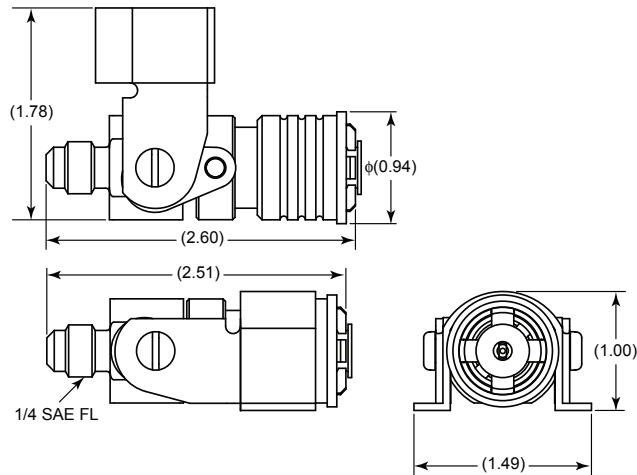
These tough, lightweight PCU Couplers utilize heat-treated parts for interchangeability and long life. They provide a large unrestricted flow rate for a variety of production uses.

Because of the unique design of the Model 88 assembly, they are able to be built using inexpensive O-ring seals which provide positive leak-tight shutoff. They will hold pressure from vacuum to 500 psig.

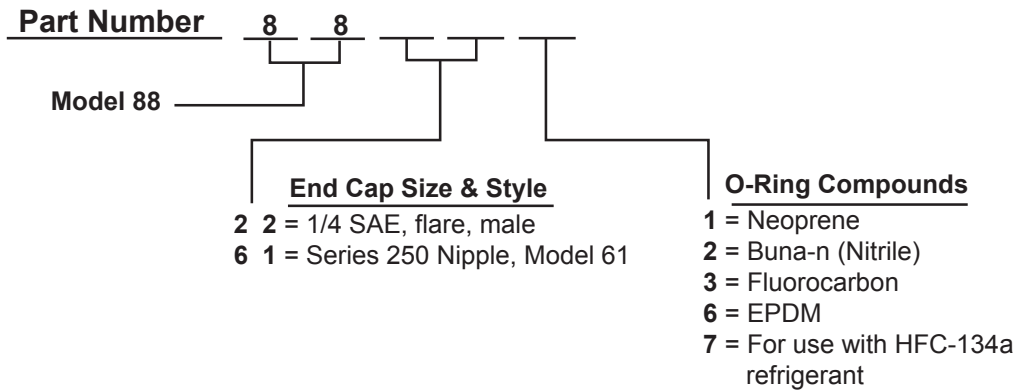
The standard Model 88 assembly can be built with a variety of seal compounds to satisfy your application. Neoprene compound is generally used for R-22, R404a, R410a and compressed air. Buna-N is generally used for HFC-134a with lubricants. Other applications, which require oils/lubricants.

For other applications, which require oils/lubricants, or for help in selecting the correct compound for your particular application, please contact our Order Department at (1-937-853-1716).

## 1/4" Schrader Couplers Model 88



**PN #88222**



\* Please contact PCU for 1/4" Schrader valve jaw configuration.



**Production Control Units, Inc.**

2280 West Dorothy Lane, Dayton, Ohio 45439-1892 Phone (937) 299-5594 FAX: (937) 299-4843  
 ©Production Control Units, Inc. U.S.A. Web: www.pcuinc.com