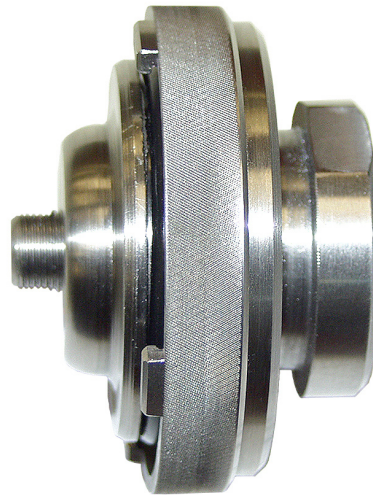
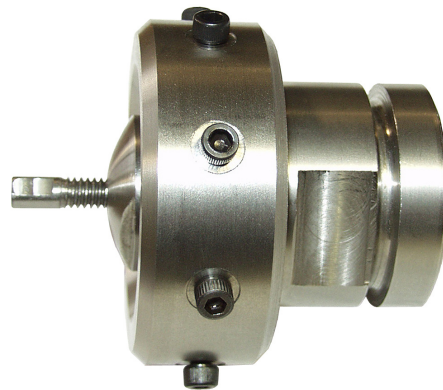




Series 99 and 106 Manual Adapters

FEATURES

- Simple attachment (manual or auto clamp)
- Secondary reservoir fill
- Repair Bay Fill
- Dry evacuation circuit
- Drip free operation
- High vacuum flow rate
- High fluid flow rate
- Manual disconnect
- Fail safe operation
- Rugged & durable construction
- Easily maintained
- Light Weight



(Or drop sleeve to lock)

The PCU Compufill Series 99 and 106 manual adapters is the interface between a reservoir and the filling tool adapter. When multiple fill necks exist on the same production line, custom adapters are required to use one common tool.

Series 99 adapters adapt to brake or power steering fill necks and series 106 adapters adapt to radiator/coolant fill necks.

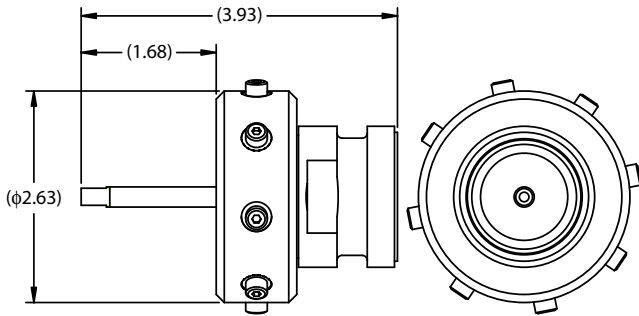
Typical tool operation requires an operator to insert adapter in fill neck, rotate sleeve

to lock and seal. Operator will locate fill tool on adapter and initiate start cycle. Upon completion, operator removes tool and adaptor.

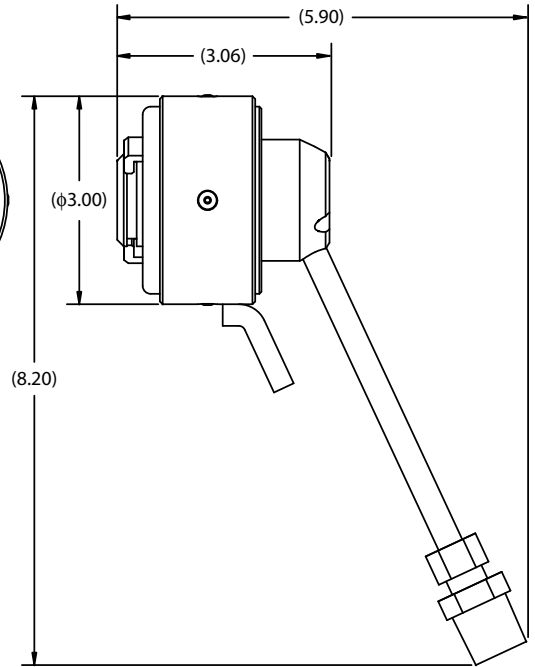
Series 99 and 106 manual adapters can be easily modified for your application. Also, semi-automatic adaptors are available which clamp onto reservoir by air activated piston. Contact PCU engineering for your application requirements.

Series 99 and 106 Manual Adapters

Series 99



Series 106



* Typical dimensions are shown, your dimensions will vary per your application.

- Adaptors are used for - Pick-and-Place - semi-auto attachment to vehicle reservoirs.
- Fits large and small fill necks and all size surge tanks.
- Large internal porting for high flow rate.
- Adaptor designs for volume or pressure fill.
- Adaptors can include the ability to fill the overflow bottle during the normal cycle.
- Interfaces to the Compufill Series 106 tool include clamp, seal and valve control air, coolant mixture and vacuum.
- A robust design and durable construction work well in a constant use production environment.
- Aluminum and stainless steel construction are used to minimize weight and eliminate corrosion.

TECHNICAL SPECIFICATIONS:

Weight 1.0 lbs (0.45 kg)

Flow Capacity Same as fill tool

Maximum Fluid Pressure
 Based on maximum reservoir fill pressure



Production Control Units, Inc.

2280 West Dorothy Lane, Dayton, Ohio 45439-1892 Phone (937) 299-5594 FAX: (937) 299-4843
 ©Production Control Units, Inc. U.S.A. Web: www.pcuinc.com