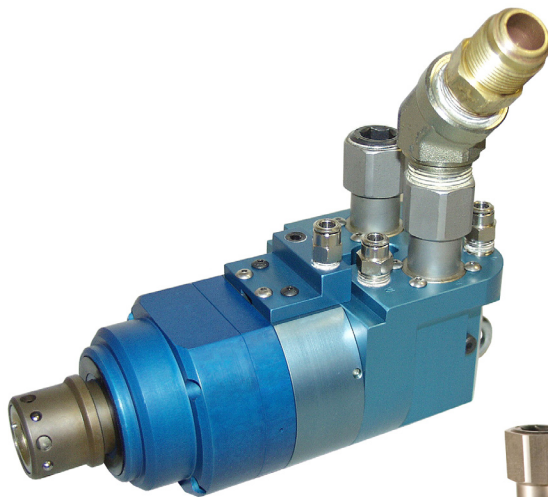




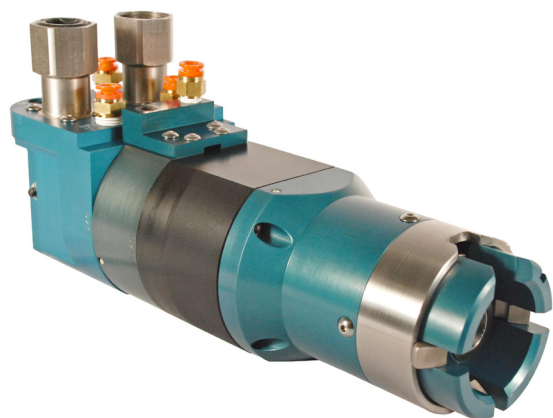
## Series 106 Radiator Leak Test Tool

### FEATURES

- Simple attachment
- Air operated valve
- High flow rate
- Automated disconnect
- Fail safe operation
- Rugged & durable construction
- Easily maintained
- Light weight



**Internal BalLoc Style**



**External Thread Lock Style**

The PCU Compufill Series 106 Leak Test Tool connects to engine cooling systems for pressure decay test. This tool adapts the test equipment to the cooling system.

This series of tools includes models which can be attached to most common radiator fill necks and surge tank inlets.

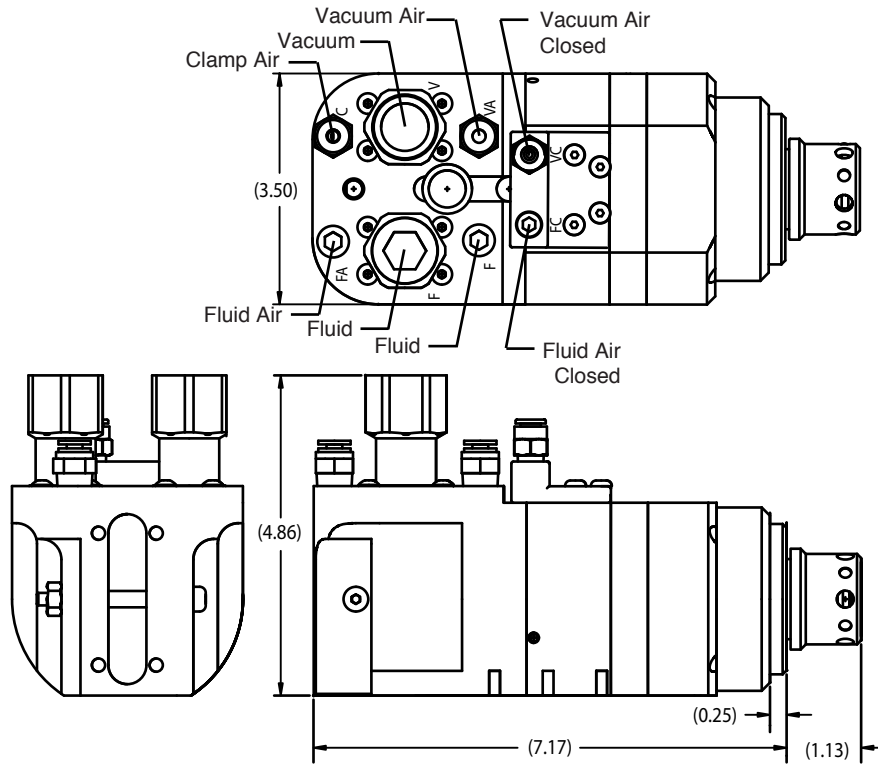
Typical tool operation is semi-automatic in that the operator has only to locate the tool onto the fill neck. Upon initiation of the fill cycle, the tool, under control of the fill machine will automatically seat and seal in order that the pressure test operation

can proceed. Upon completion of these operations, the tool unseats and can then be retracted.

The PCU Compufill Series 106 tool provides flexibility from manual operations to those which are fully automated when attached to an tool presentation arm.

Series 106 tools can be easily modified for power steering, fuel or other fluid applications. Contact our Order Department at (1-937-299-5594) for your application requirements.

## Series 106 Radiator Test Tool



### External Thread Lock Shown

- Tools can be used with PCU tool presentation arms for manual connect - pick and place - semi-auto attachment to vehicle reservoirs.
- Tools are compatible for operation with programmable logic, relay, or computer based control systems.
- Fits large and small radiator necks and all size surge tanks.
- Interfaces to the Compufill Series 106 tool include clamp, seal and valve control air.
- Large internal porting for high flow rate.
- A robust design and durable construction work well in a constant use production environment.
- All phases of evacuation and fill cycle internal to tool are automatically controlled by the evacuate and fill machine.
- Aluminum and stainless steel construction are used to minimize weight and eliminate corrosion.

### TECHNICAL SPECIFICATIONS:

Weight . . . . . 3.25 lbs (1.5 kg)	Air Port Fitting . . . 1/4" Dia. one Touch Connectors
Fluid . . . . . Air	Flow Capacity Fluid . . . . . 9.3 Cv Typical
Pressure Port Fitting . . . . . 1/2", 3/4", or 1" Barbed Hose (Other port sizes are available)	Maximum Fluid Pressure . . . . . 50 psi
Min. Air Supply Pressure .70 psig (4.9 kg/cm <sup>2</sup> ) Min.	Radiator/Surge Tank . . . . . Common sizes for Rad & Surge Tanks



## Production Control Units, Inc.

2280 West Dorothy Lane, Dayton, Ohio 45439-1892 Phone (937) 299-5594 FAX: (937) 299-4843  
©Production Control Units, Inc. U.S.A. Web: www.pcuinc.com