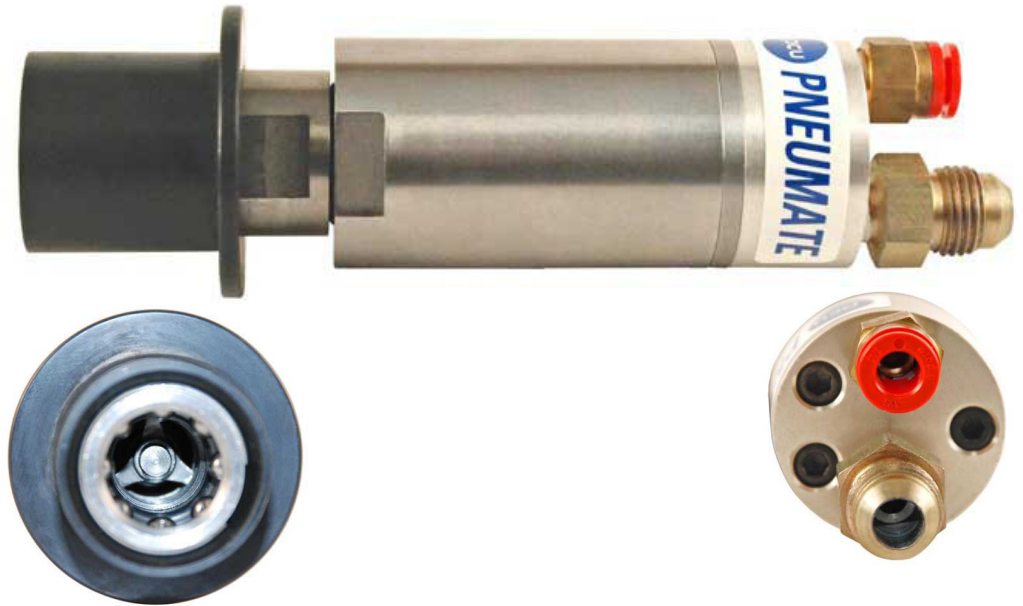




## Series 11 Vacuum Coupler

### FEATURES

- Minimal connection force
- Manual operation, upon connection to fitting
- Air operated poppet valve
- Lightweight



The series 11 coupler is the interface adapter for vacuum applications that require independent stem operation. Manually clamp the series 11 coupler onto the fitting, and start cycle. System controls will automatically apply air pressure to evacuate system. When cycle is complete, the operator will remove BalLoc coupler by pulling on sleeve to release BalLoc Clamping.

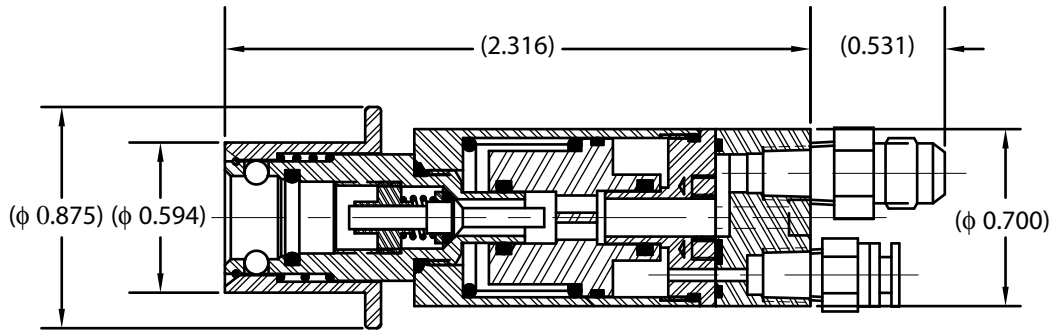
The manual clamping mechanism used is the time proven BalLoc method. The eight hardened steel balls which are constrained in the charge gate body are secured onto the ball

groove taper on the process fitting by the locking sleeve. Securing the balls on the taper assures positive force on the nose seal.

The Series 11 is designed to operate with helium tracer gas Systems. Tools with automatic clamping are available. Please contact PCU Engineering for further information.

Save money with the PCU Series 11 Charging Tool. Contact our Order Department at (1-937-299-5594) with your application and equipment specifications.

## Series 11 Vacuum Coupler



\* Contact PCU Engineering for custom series 11 to meet your application.

### TECHNICAL SPECIFICATIONS:

Weight . . . . . 1.25 lbs (0.57 kg)  
 Vacuum range . . . . . 0-760 TORR (0-760 mmHg)  
 Discharge port . . . . . 3/8" SAE FL  
 Manual BalLoc Coupler . . . . . 462-102131  
 Air supply pressure . . . . . 70 PSIG (4.9 kg/cm<sup>2</sup>)  
 Air port fittings . . . . . 1/4" dia. one touch connectors

Coupler flow capacity . . . . . 0.76Cv (coupler only)  
 Process fitting nose seal . . . . . O-Ring  
 Process fitting clamp system . . . . . PCU BalLoc



## Production Control Units, Inc.

2280 West Dorothy Lane, Dayton, Ohio 45439-1892 Phone (937) 299-5594 FAX: (937) 299-4843  
 ©Production Control Units, Inc. U.S.A. Web: [www.sterlingpcu.com](http://www.sterlingpcu.com)