



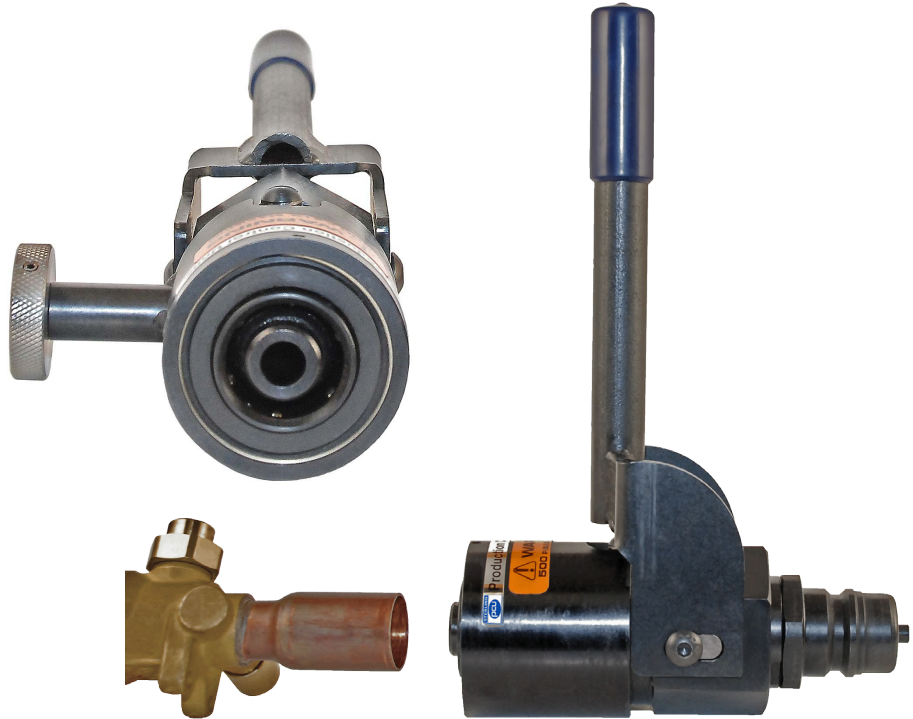
Series 98 TQC Tube Quick-Connect Coupler

FEATURES

- Positive Locking
- Tight Seal
- Valve Shutoff
- Adaptability
- Belled Tubing
- Optional Safety Latch
- Pressure from 25 microns to 1000 PSIG

APPLICATIONS

- Refrigerants
- Vacuum/Air
- Oil
- Water
- Mass Spectrometer Applications
- Helium
- Nitrogen



The Production Control Units Series 98 TQC is designed for easy installation onto belled tubing. Used for evacuation, pressure testing, or refrigeration processing.

Slide the Series 98 Coupler onto the tube until reaching the internal stop. Rotate the handle, driving shuttle forward, causing the tube to be sealed for processing.

These tough PCU couplers utilize heat-treated parts for long life and interchangeability. They provide a large unrestricted flow for a variety of production uses.

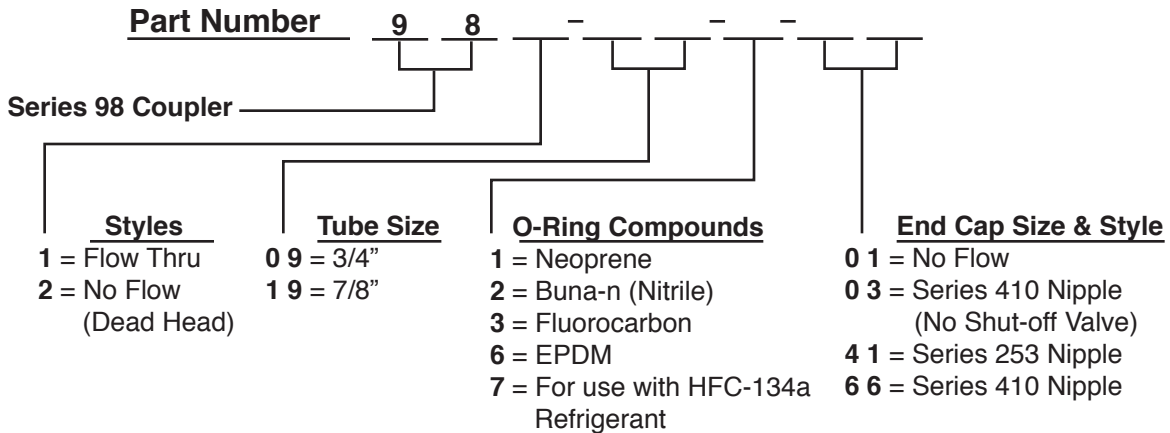
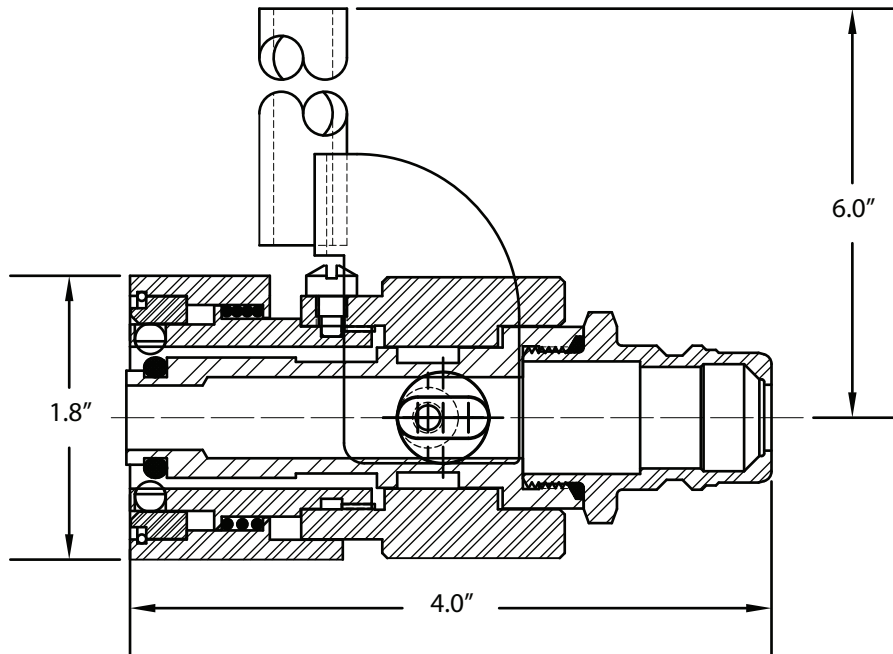
The Series 98 TQC is offered with a wide variety of end cap configuration. We recommend the PCU Series 250 or 410 Nipple assembly for best

results. We also offer the ISO “B” nipples for our customers who require this configuration. Contact our Order Department at (1-927-299-5594) for your application requirements.

All Series 98 TQC's are built with Buna-N as the standard elastomer. However we offer Neoprene, Fluorocarbon, EPDM and other seal materials to suit your application. The standard seal in the Series 98 may be used in a temperature range of 0 to 250 degrees F.

Optional safety latch provides the secure operation if the coupler handle is accidentally rotated to the unlatch position. The coupler remains latched until operator disengages safety latch.

Series 98 TQC Tube Quick-Connect Coupler Assemblies



* Please consult PCU Engineering for Custom Made Series 98 to fit your fitting. (Sizes from 3/8" to 2")



Production Control Units, Inc.

2280 West Dorothy Lane, Dayton, Ohio 45439-1892 Phone (937) 299-5594 FAX: (937) 299-4843
©Production Control Units, Inc. U.S.A. Web: www.pcuinc.com