



Series 250 Evacuate & Charge Coupler

FEATURES

- No Vacuum or Charge Media Loss
- Quick Connect
- Safety Shutoff
- Adaptability
- Mates to Series 250 Nipple

APPLICATIONS

- Vacuum/Air
- Helium
- Nitrogen

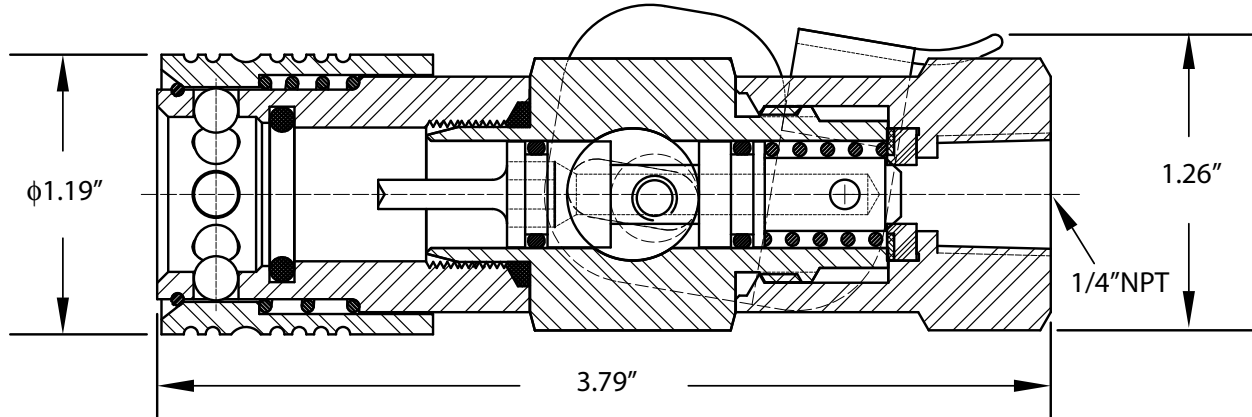


With the operating lever in the closed (down) position, the operator can connect the tool to the process nipple by pulling back on the tool sleeve and engaging the nipple.



After connecting to the nipple, the operator opens the flow passage and shutoff valve by opening the lever and rotating it in the "up" position. This action locks the tool onto the process nipple preventing release of the tool during processing. When processing is complete, the operator closes the flow passage and shutoff valve by rotating the lever into the "down" position. The tool may then be removed from the process nipple.

Series 250 Evacuate & Charge Coupler



STANDARD STOCK PART NUMBER: 46211

TECHNICAL SPECIFICATIONS:

Weight 12.25 oz
 Pressure 25 microns to 500 PSIG

Process fitting compatibility * 250 nipple
 Flow Rate 0.43 Cv
 Stem extension standard for series 250
 Process fitting nose seal OR113
 Process fitting clamp system PCU BalLoc

ORDER PART NUMBER:

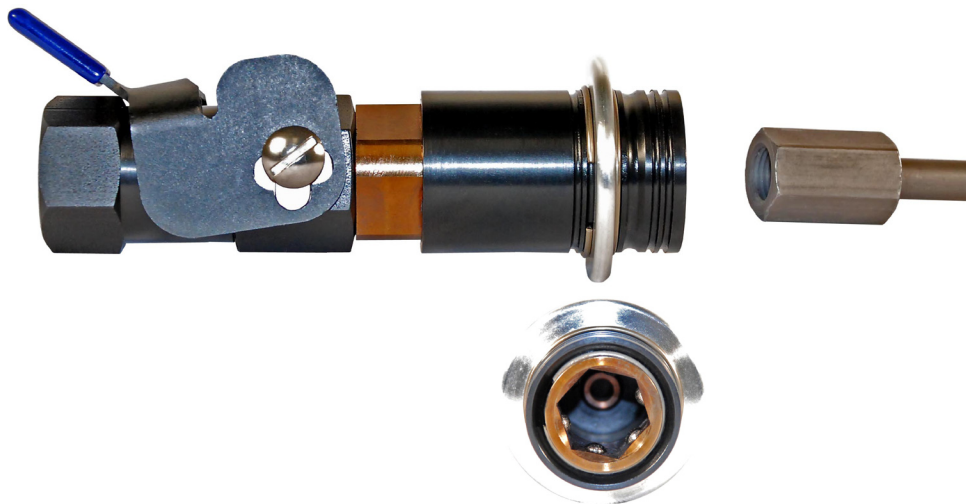
45635 Buna N (Nitrile) Seals
 46211 Neoprene Seals
 46680 Fluorocarbon Seals

* Compatibility with other fittings are available. Please contact PCU Engineering.

PATENTS:

This coupler is manufactured under U.S. Patent No. 5,074,332

PCU can customize to meet your application.



Production Control Units, Inc.

2280 West Dorothy Lane, Dayton, Ohio 45439-1892 Phone (937) 299-5594 FAX: (937) 299-4843
 ©Production Control Units, Inc. U.S.A. Web: www.pcuinc.com