



## Series 114 Brake Fill Tool

### FEATURES

- Simple attachment
- Air operated valves
- Dry evacuation circuit
- Drip free operation
- High vacuum flow rate
- High fluid flow rate
- Automated disconnect
- Fail safe operation
- Rugged & durable construction
- Easily maintained
- Light Weight
- Optional handle for 2 hand operation



**Standard 90° Manifold**



**Optional Handle  
With Pushbuttons**



**Optional Straight Manifold**

The PCU Compufill Series 114 Brake Fill Tool connects to brake master cylinder reservoirs for evacuation and filling. This tool adapts the filling equipment to the brake system.

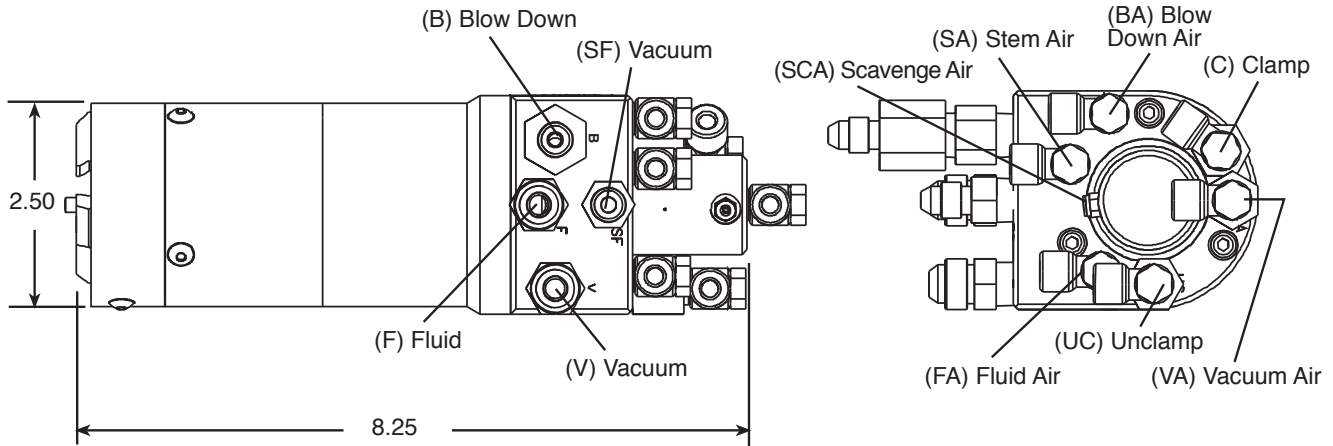
This series of tools includes models which can be attached to most common brake fill necks and can be customized for other applications.

Typical tool operation is semi-automatic in that the operator has only to locate the tool onto the fill neck. Upon initiation of the fill cycle, the tool, under control of the fill machine

will automatically clamp and seal in order that the evacuation, leak check, filling, and scavenges cycle can proceed. Upon completion of these operations, the tool unclamps and can then be removed. All models are designed to provide minimum drip operation.

The PCU Compufill Series 114 tool provides flexibility from manual operations to those which are fully automated when attached to a tool presentation arm.

# Series 114 Brake Fill Tool



- Designed for two different scavenge levels.
- Scavenge flow path is independent of fluid or vacuum circuit.
- Tool designed with secondary shutoff valve for drip-less operation.
- Tools can be used with PCU tool presentation arms for manual connect - pick and place - semi-auto attachment to vehicle reservoirs.
- Fits large and small brake necks.
- Internal porting for higher flow rate
- Tool designs for volume or pressure fill.
- Tools are built with spring returns on the valve ports for fail-safe operation during power loss.
- All phases of evacuation and fill cycle internal to tool are automatically controlled by the evacuate and fill machine.
- Tools are compatible for operation with programmable logic, relay, or computer based control systems.
- A robust design and durable construction work well in a constant use production environment.
- Aluminum and stainless steel construction are used to minimize weight and eliminate corrosion.
- Tool designed with independent blowdown circuit for fluid circuit clean out.
- Optional straight or 90° manifolds.

## TECHNICAL SPECIFICATIONS:

Weight . . . . .	4.25 lbs (2 kg)	Flow Capacity Fluid or Vacuum or Air Blowdown. 0.82 Cv Typical												
Fluid . . . . . Fluid & Vacuum Port Fitting. . . . .	Brake Fluid 3/8" JIC	Maximum Fluid Pressure. . . . .150 psi												
Scavenge & Blowdown Port Fitting. . . . .	1/4" JIC	<p style="text-align: center;"><b>Flow Rates: DOT 3 Brake Fluid</b></p> <table border="1" style="margin-left: auto; margin-right: auto;"> <thead> <tr> <th colspan="3" style="text-align: center;">3/8" Hose</th> </tr> <tr> <th style="text-align: center;">Fill Pressure</th> <th style="text-align: center;">L/sec</th> <th style="text-align: center;">GPM</th> </tr> </thead> <tbody> <tr> <td style="text-align: center;">70 PSI (4.8 BAR)</td> <td style="text-align: center;">0.2</td> <td style="text-align: center;">3</td> </tr> <tr> <td style="text-align: center;">90 PSI (6.2 BAR)</td> <td style="text-align: center;">0.24</td> <td style="text-align: center;">3.8</td> </tr> </tbody> </table>	3/8" Hose			Fill Pressure	L/sec	GPM	70 PSI (4.8 BAR)	0.2	3	90 PSI (6.2 BAR)	0.24	3.8
3/8" Hose														
Fill Pressure	L/sec		GPM											
70 PSI (4.8 BAR)	0.2	3												
90 PSI (6.2 BAR)	0.24	3.8												
Air Supply Pressure . . . . .	70 psig (4.9 kg/cm <sup>2</sup> ) Min.													
Air Port Fitting . . .	1/4" Dia. one Touch Connectors													



## Production Control Units, Inc.

2280 West Dorothy Lane, Dayton, Ohio 45439-1892 Phone (937) 299-5594 FAX: (937) 299-4843  
 ©Production Control Units, Inc. U.S.A. Web: www.pcuinc.com