

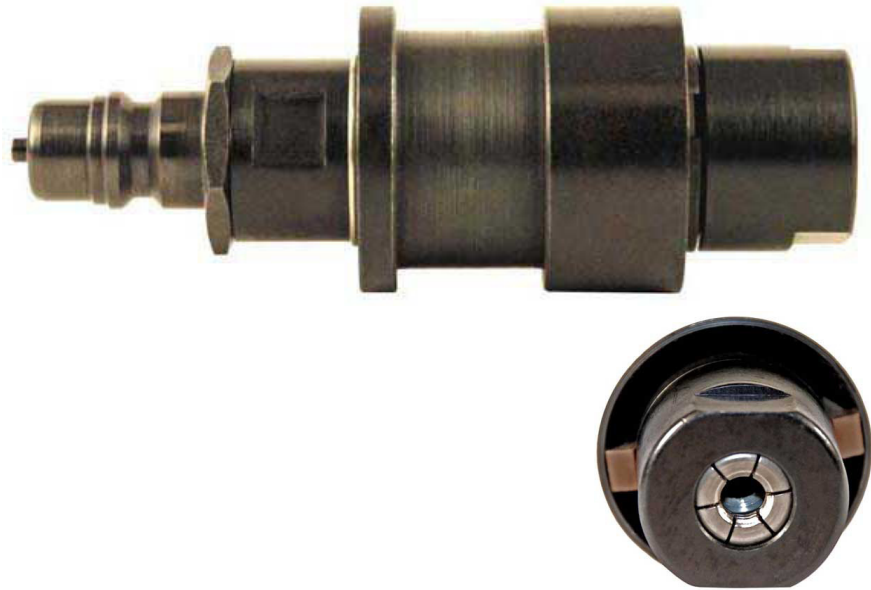
STERLING

PCU

Series 91 TQC Tube Quick-Connect Coupler

FEATURES

- Quick Tube Connection
- Automated or Manual Applications
- Low Operating Force
- Applications for Refrigerant, Oil, Vacuum, Air & other Fluids
- Repairable, Saves Costs
- Positive Locking
- For 1/4", 5/16" & 3/8" Tube Sizes
- 1 1/8" Straight Tube Engagement



The Production Control Units Series 91 Tube Quick-Connect (TQC) Coupler is designed for easy installation onto the end of straight tubing either manually or by use of automated equipment.

For manual operation, slide the coupler onto the tubing until seated and pull the sleeve back to make a positive, leak-free seal. To release, simply push the sleeve forward. The field-proven cam locking device grips uniformly-firm but gently without damage to steel, copper, brass or plastic tubing.

The long-life tube seal reduces coupler maintenance costs and can easily be replaced. This seal accepts out-of-roundness conditions up to 2%.

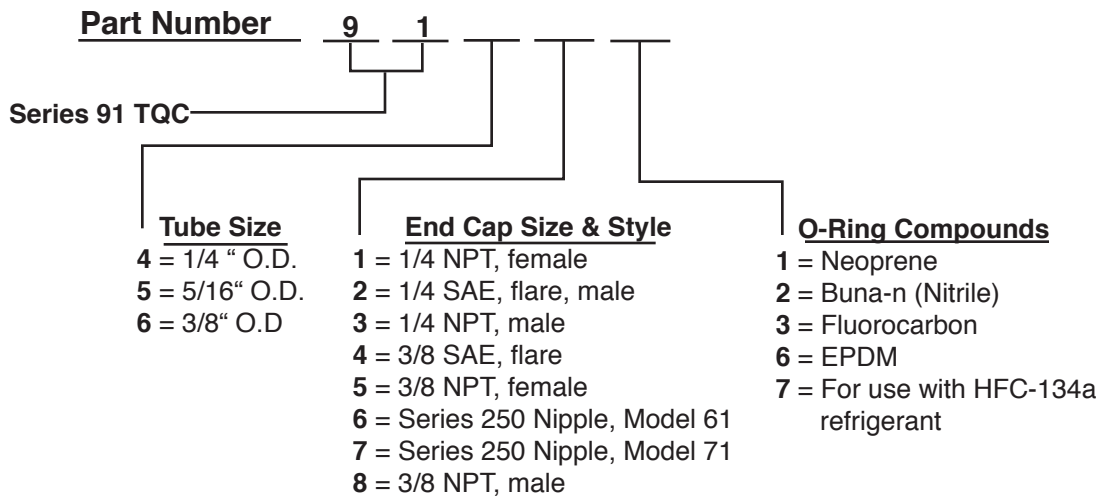
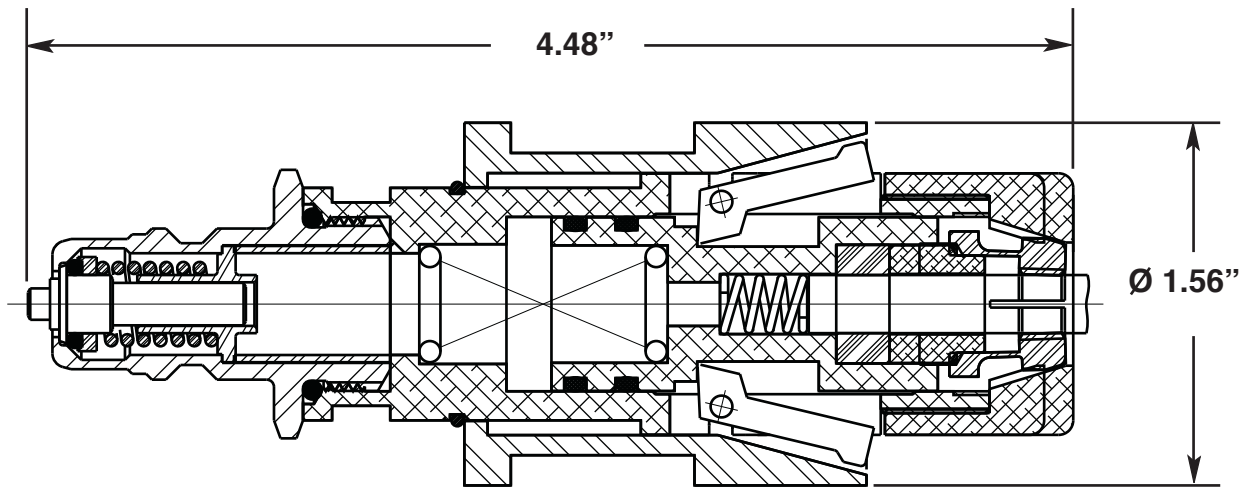
The Series 91 TQC holds pressures from 25 microns up to 500 psi, proof pressure 4000 psig.

A built-in valve automatically vents system pressure before the coupler can be removed from the tube for operation safety. Blow off or loss of sealed connections are eliminated.

Five internal parts are quickly interchangeable allowing the same connector body to fit all three tube sizes. This simple interchangeability allows for changing refrigerants and oils.

Seals are available in Neoprene, Nitrile, and Fluorocarbon for specific applications.

Series 91 TQC Tube Quick-Connect Coupler Assemblies



SERVICE BULLETIN

Service Bulletin SB91-1 contains general description, spare parts list, and maintenance information.

Manufactured under Patent Number: 5,439,258



Production Control Units, Inc.

2280 West Dorothy Lane, Dayton, Ohio 45439-1892 Phone (937) 299-5594 FAX: (937) 299-4843
 ©Production Control Units, Inc. U.S.A. Web: www.sterlingpcu.com