



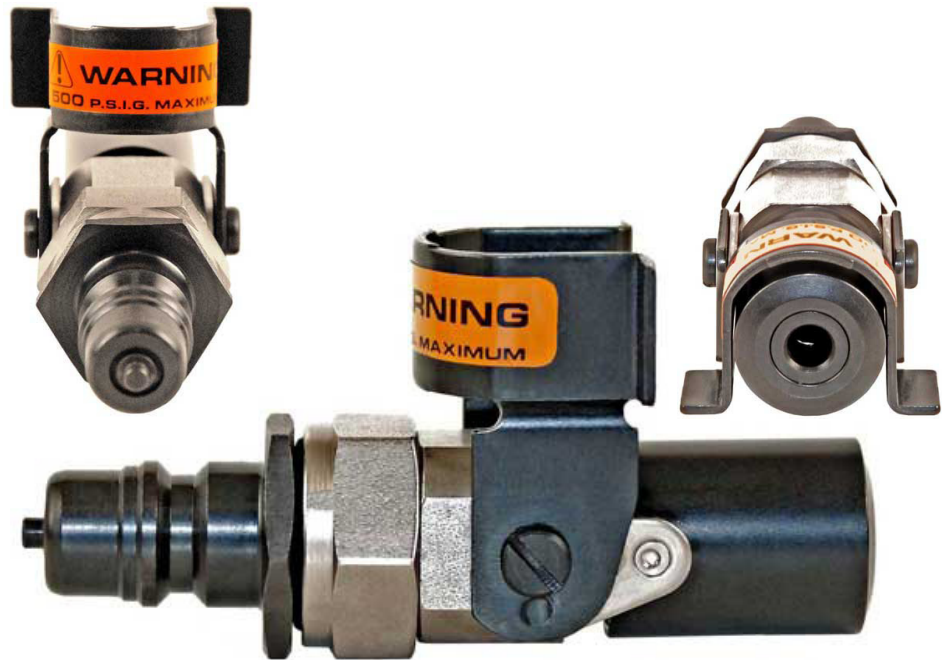
## Series 500 TQC Tube Quick-Connect Coupler For 3/16", 1/4", 5/16" and 3/8" O.D. Tubes

### FEATURES

- Leak-Free, Positive Locking
- Quick Connect/ Disconnect
- Valved Shutoff
- Adaptability
- 13/16" Straight Tube Engagement
- Long Life
- Repairable, Saves Cost

### APPLICATIONS

- Vacuum/Air
- Refrigerants
- Water
- Oil
- Helium
- Nitrogen



These tough, compact, lightweight PCU couplers utilize heat-treated parts for interchangeability and long life, oxide and nickel finishes resist corrosion. They provide a large, unrestricted flow rate for a variety of production uses while minimizing process material loss during coupling/uncoupling.

For a valved coupler, the "TQC" Coupler is shown with our Series 250 Nipple as an integral assembly.

The Production Control Units Series 500 "TQC" is designed for easy installation onto the end of straight tubing. Slide the coupler onto the tubing until seated and push down on the mechanical lock (lever) to make a positive seal. A cam-locking device grips uniformly-firmly but gently-without damage to steel, copper, brass or plastic tubing.

The tube seal will accept tubing out-of-roundness conditions up to 2%. Long-life seal reduces connector maintenance costs.

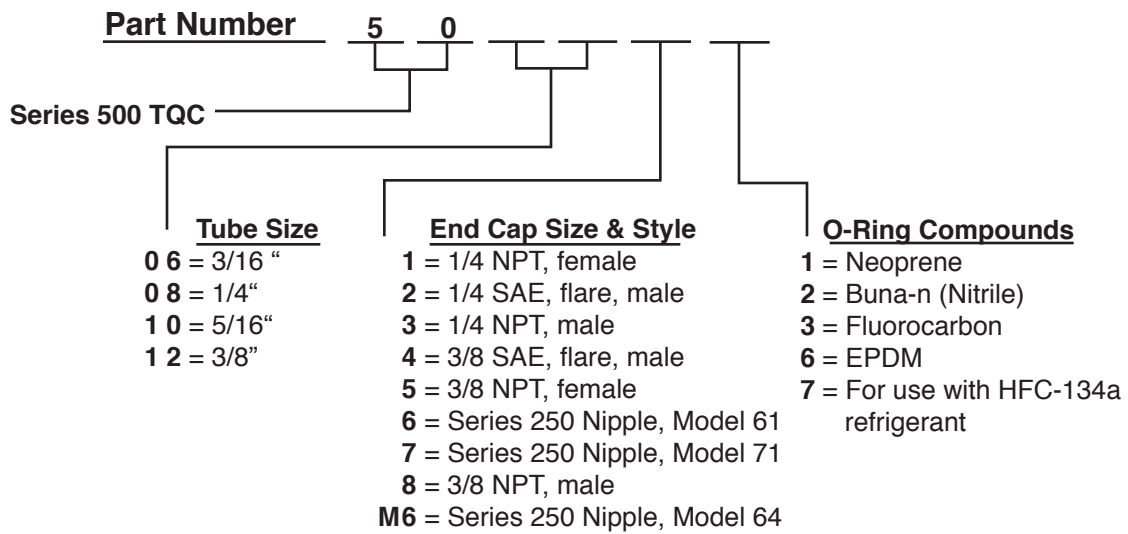
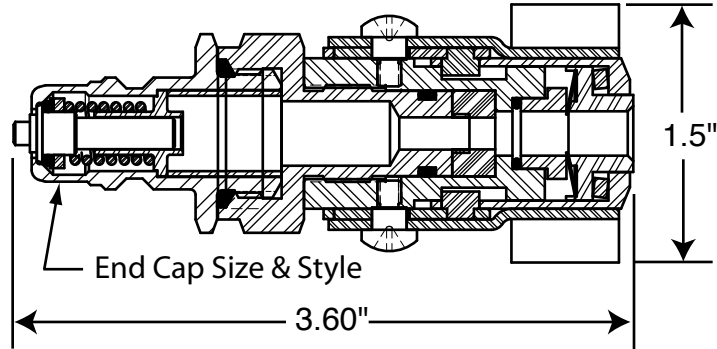
**STRONG**-Holds pressures from 25 microns up to 500 psig, minimum proof pressure 4000 psig.

**SAFE**-Built-in valve automatically vents system pressure before the connector can be removed from the tube for operator safety. Blow-off or loss of seal connection by accidental bumping is eliminated.

**FLEXIBLE**-Internal parts are quickly interchangeable allowing the same connector body to fit all four tube sizes.

When vacuum and ester oils are being used, please contact our Order Department (1-937-299-5594) for help in selection of the correct elastomer for your particular application.

# Series 500 TQC-Tube Quick-Disconnect Coupler



## SERVICE BULLETIN

Service Bulletin SB500-1 contains general description, spare parts list, and maintenance information.



## Production Control Units, Inc.

2280 West Dorothy Lane, Dayton, Ohio 45439-1892 Phone (937) 299-5594 FAX: (937) 299-4843  
 ©Production Control Units, Inc. U.S.A. Web: www.sterlingpcu.com