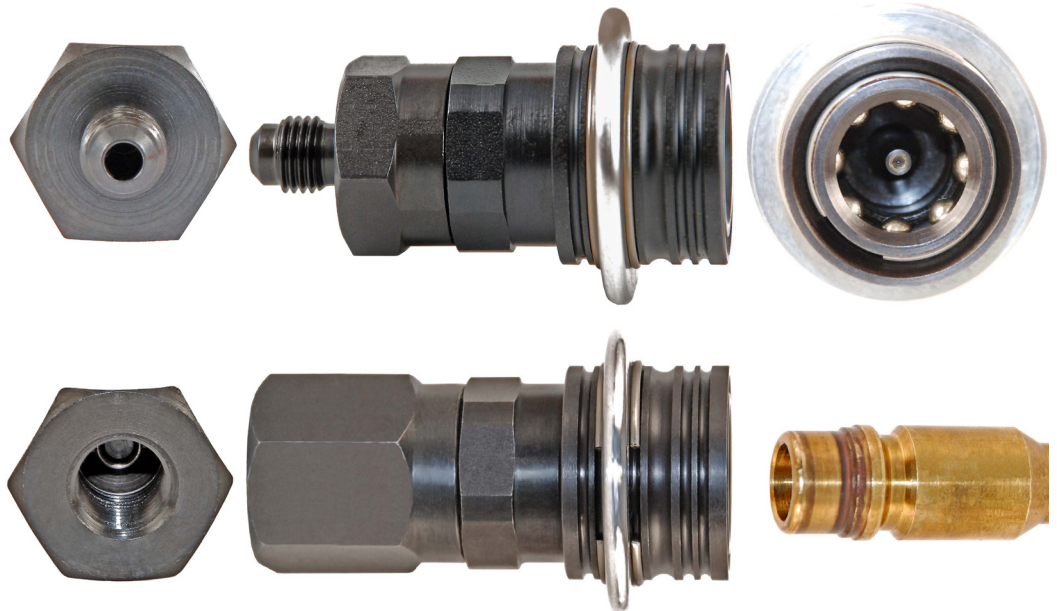




Series 25 Model EPF Quick-Connect Coupler

FEATURES

- Easy installation & removal
- Valved shutoff
- Leak-free
- Lightweight
- Corrosion resistant
- Low maintenance



The PCU Series 25/EPF Coupler is designed for easy installation onto Eaton Single Seal Valve (High Flow) Fittings.

Simply pull the collar back and hold, slide the coupler onto the process fitting and release the collar. The 8-ball detent lock provides a quick positive coupling.

Use the PCU Series 25/EPF Coupler for product evacuating, charging, pressure testing; wherever you need a quick connection in appliance manufacturing or processing.

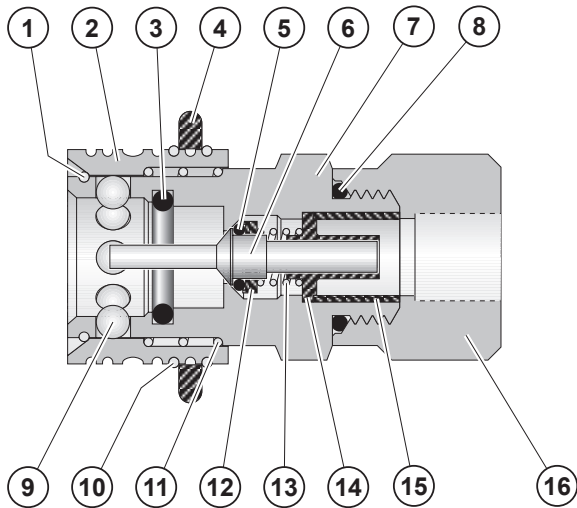
The PCU Series 25/EPF Coupler's standard seal material is neoprene. Other seal materials are available for applications using vacuum, refrigerant, air, helium, nitrogen, lubricants or water.

The PCU Series 25/EPF Coupler can be ordered with one of a variety of adapter caps to meet your installation needs.

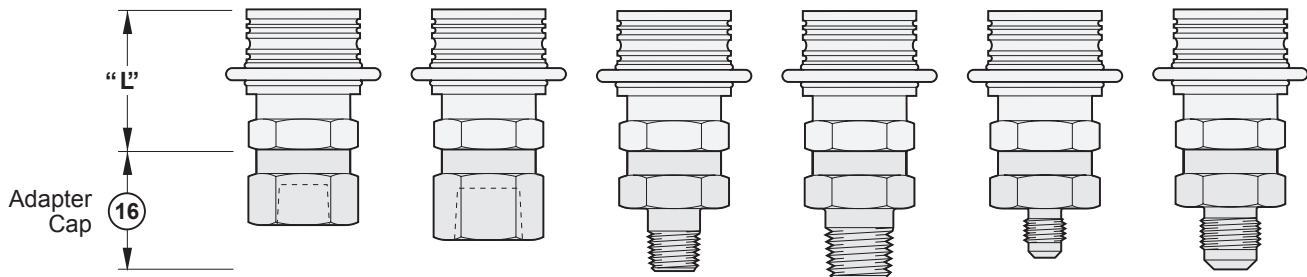
The PCU Series 25/EPF Coupler is easy to maintain ensuring long term use.

For air operated power coupler, model EPF, contact order department at (1-937-299-5594) and request information on part number 107012-001.

Series 25/EPF Quick-Connect Coupler For "Single Seal Process Fitting"



Item	Description	Qty/ Unit	Part Number		
			1-Neoprene	2-Nitrile	3-Fluorocarbon
1	Retaining Ring	1	61832		
2	Sleeve	1	61831		
3	O-Ring	1	61834	61848	61854
4	Ring	1	47921		
5	O-Ring	1	61843	61847	61853
6	Stem	1	61886		
7	Body	1	61835		
8	O-Ring	1	61822	61846	61852
9	Ball	8	61833		
10	Retaining Ring	2	66814		
11	Spring	1	61801		
12	Retainer	1	61840		
13	Spring	1	61802		
14	Perch	1	61825		
15	Spacer	1	61837		
16	End Cap	1	See Below		



Adapter	1/4 FPT	3/8 FPT	1/4 MPT	3/8 MPT	1/4 SAE Flare	3/8 SAE Flare
Adapter Cap P/N:	61830	61869	61845	61870	61829	61821
Coupler Ass'y. P/N: Neoprene	62PF211	62PF311	62PF231	62PF331	62PF221	62PF321
Coupler Ass'y P/N: Nitrile	62PF212	62PF312	62PF232	62PF332	62PF222	62PF322
Coupler Ass'y P/N: Fluorocarbon	62PF213	62PF313	62PF233	62PF333	62PF223	62PF323

TECHNICAL SPECIFICATIONS:

Weight	7.3 oz (207 G)
Size	1-3/16" Dia (1-5/8" Collar) x 1-1/2" "L" [30mm Dia (41mm Collar) x 38mm "L"]
Vacuum/Pressure	25 microns to 500 PSI (35 kg/cm ²)
Minimum proof pressure	5000 PSI (350 kg/cm ²)
Temperature range	0-250° F (0-121° C)

Standard stock units shipped same day:

- 62PF211 (Neoprene Seals)
- 62PF212 (Nitrile Seals)
- 62PF213 (Fluorocarbon Seals)
- 62PF221 (Neoprene Seals)
- 62PF321 (Neoprene Seals)



Production Control Units, Inc.

2280 West Dorothy Lane, Dayton, Ohio 45439-1892 Phone (937) 299-5594 FAX: (937) 299-4843
©Production Control Units, Inc. U.S.A. Web: www.pcuinc.com